

Vacuum Gripper MLE

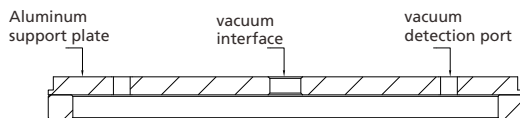
Vacuum Gripper MLE

Suction area(φ)107*75mm to 290*140mm

Vacuum gripper MLE



System design Vacuum gripper MLE



Introduction and application

- ◆ Handling for transporting workpieces with uneven rough surface, such as sawn, beaten by sleeves or burning marble; Textured, non-slip or formed metal plates; Striped plexiglass, cement products, garden tiles with texture, etc.

Structure

- ◆ Made of anodized aluminum and self-adhesive sponge.
- ◆ The middle threaded hole is used for connecting vacuum.

Ordering guide of vacuum gripper MLE

| Type | suction area [mm] | material and shore hardness | connecting thread |
|------|-------------------|-----------------------------|-------------------|
| MLE | 107 × 75 | GERANIUM | G1/4 |
| | to | | G3/8 |
| | 290 × 140 | | G1/2 |

Ordering data of vacuum gripper MLE

| Type | ordering data | Type | ordering data |
|-------------------|----------------|--------------------|----------------|
| MLE 107 × 75 G1/4 | 90.02.01.00694 | MLE 290 × 68 G3/8 | 90.02.01.00697 |
| MLE 135 × 50 G1/4 | 90.02.01.00695 | MLE 290 × 140 G1/2 | 90.02.01.00698 |
| MLE 135 × 60 G1/4 | 90.02.01.00696 | | |

Technical parameter of vacuum gripper MLE

| Type | Suction Ds[N] | Internal volume [cm ³] | working temperature [°C] |
|--------------------|------------------|---------------------------------------|-----------------------------|
| MLE 107 × 75 G1/4 | 90 | 55.6 | -40...80 |
| MLE 135 × 50 G1/4 | 60 | 34.0 | -40...80 |
| MLE 135 × 60 G1/4 | 80 | 50.0 | -40...80 |
| MLE 290 × 68 G3/8 | 250 | 152.6 | -40...80 |
| MLE 290 × 140 G1/2 | 720 | 434.5 | -40...80 |

Vacuum Gripper MLE



Vacuum Gripper MLE

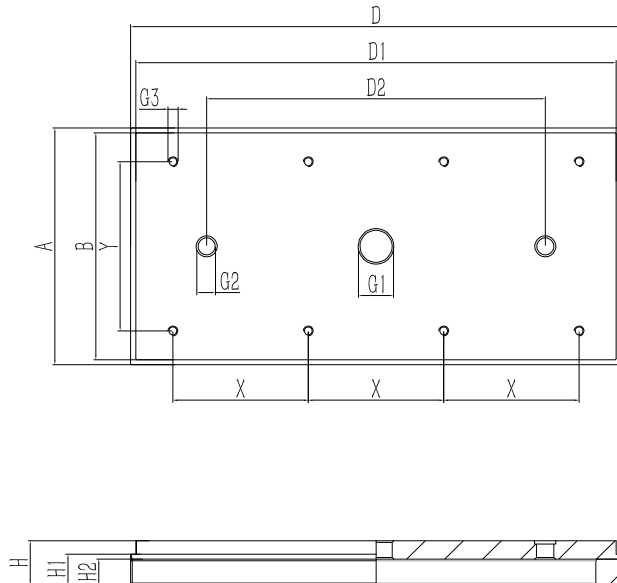
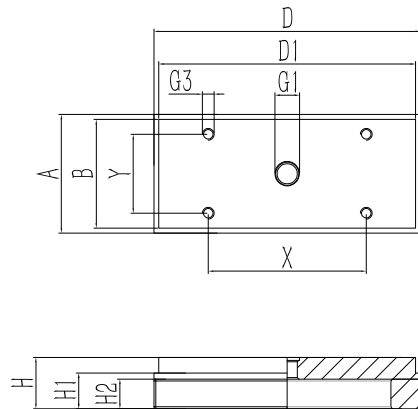
Suction area(φ)107*75mm to 290*140mm



Design parameter of vacuum gripper MLE

MLE107 × 75 to 135 × 60

MLE 290 × 68 to 290 × 140



| Type | Size [mm] | | | | | | | | | | | | |
|--------------------|-----------|-----|-----|-----|-----|----|----|----|------|------|----|----|-----|
| | D | D1 | D2 | A | B | H | H1 | H2 | G1 | G2 | G3 | X | Y |
| MLE 107 × 75 G1/4 | 107 | 102 | - | 75 | 70 | 26 | 18 | 15 | G1/4 | - | M5 | 60 | 40 |
| MLE 135 × 50 G1/4 | 135 | 130 | - | 50 | 45 | 26 | 18 | 15 | G1/4 | - | M5 | 80 | 30 |
| MLE 135 × 60 G1/4 | 135 | 130 | - | 60 | 55 | 26 | 18 | 15 | G1/4 | - | M5 | 80 | 40 |
| MLE 290 × 68 G3/8 | 290 | 284 | 200 | 68 | 62 | 26 | 18 | 15 | G3/8 | G1/8 | M5 | 80 | 40 |
| MLE 290 × 140 G1/2 | 290 | 284 | 200 | 140 | 134 | 26 | 18 | 15 | G1/2 | G1/8 | M5 | 80 | 100 |